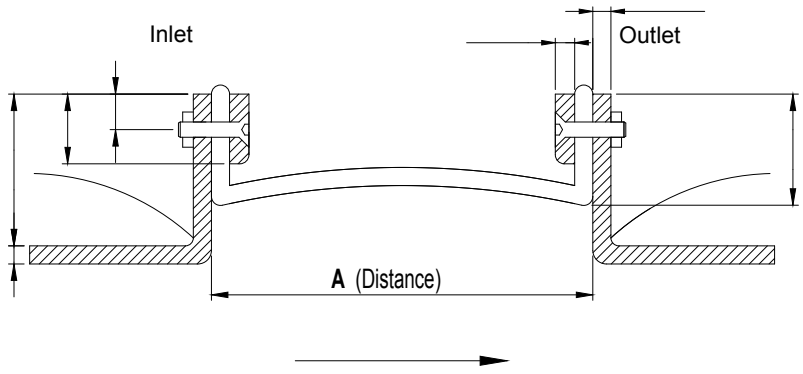


- 1: **A** = _____
- 2: **A** = _____
- 3: **A** = _____
- 4: **A** = _____



Backing flange Dim:		Customer:		No.:	
FL1:	x	Expansion Joint Type:		Dust Content:	mg / m ³ Duct : steeltypes
FL2:	x	Media:		Velocity:	m / sec Duct - flange type:
Duct flange Dim:		Temperature:	° C	Movement axial	mm Design - Sleeve:
FL1:	x	Dry:	Wet:	Movement Lateral:	mm Insulation inside:
FL2:	x	Horizontal:	Vertical:	Pressure:	Installing: